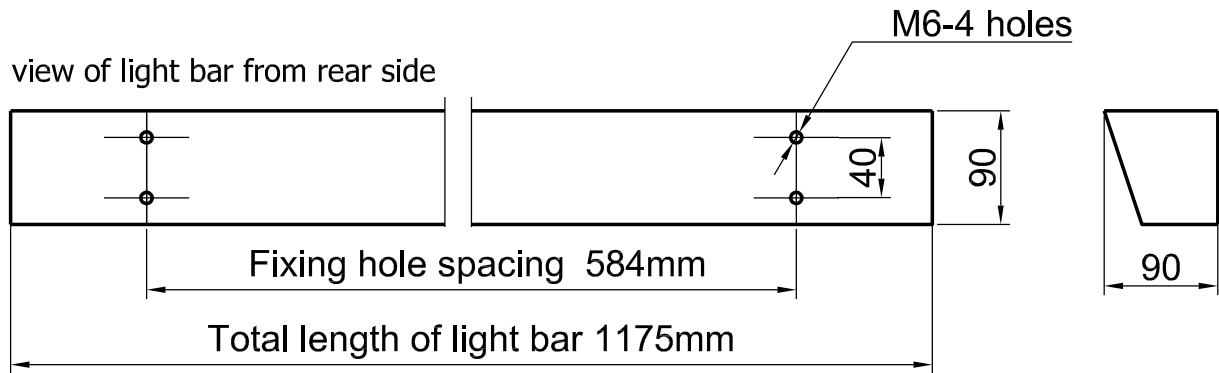


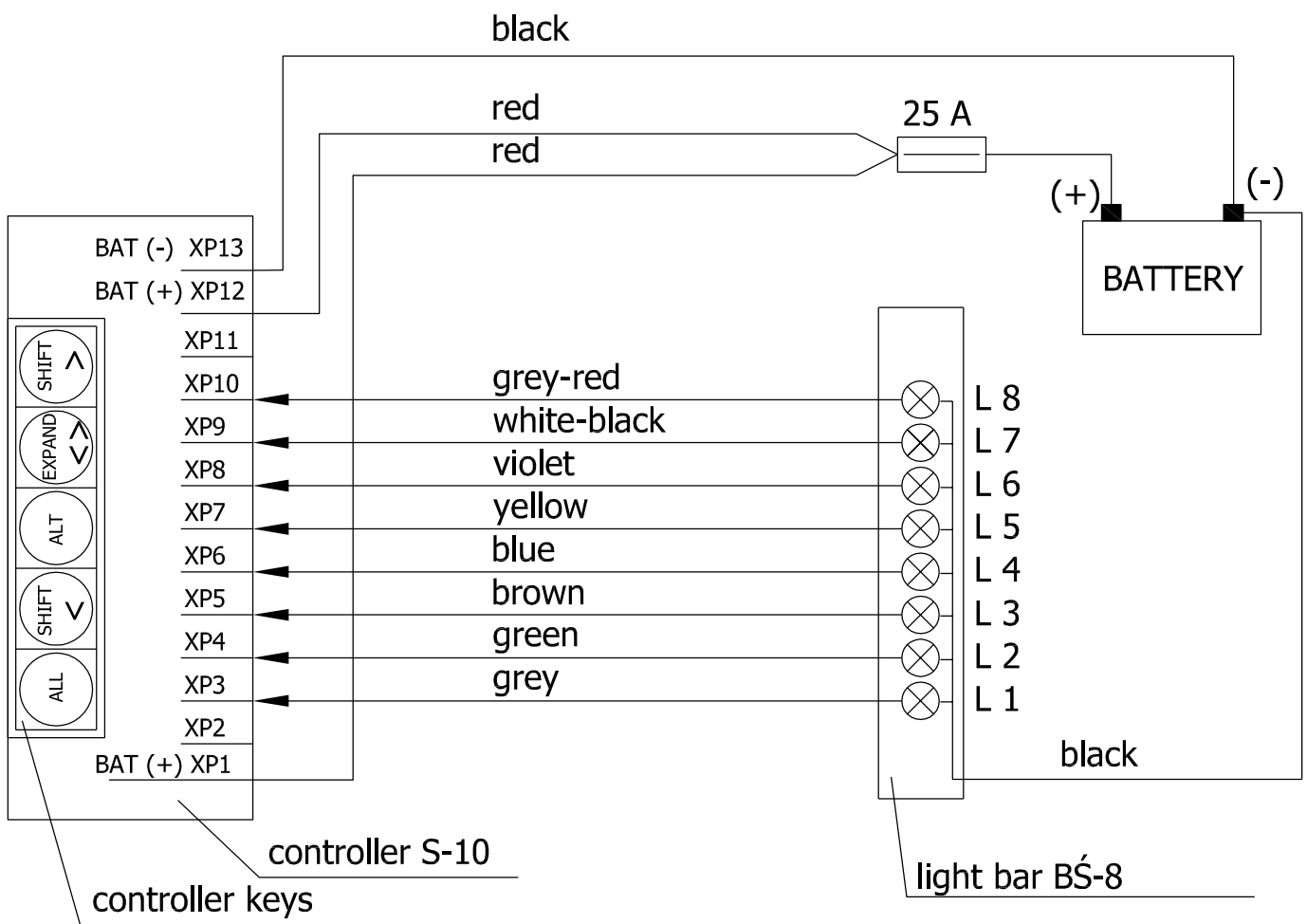
Overall dimensions and fixing

Drawing nb.1



Scheme of electrical connection

Drawing nb.2



Equipment:

| | |
|------------------------------------|------|
| Light bar BŚ-8 with supply harness | 1pc. |
| Controller S-10 | 1pc. |
| Supply harness with fuse | 1pc. |